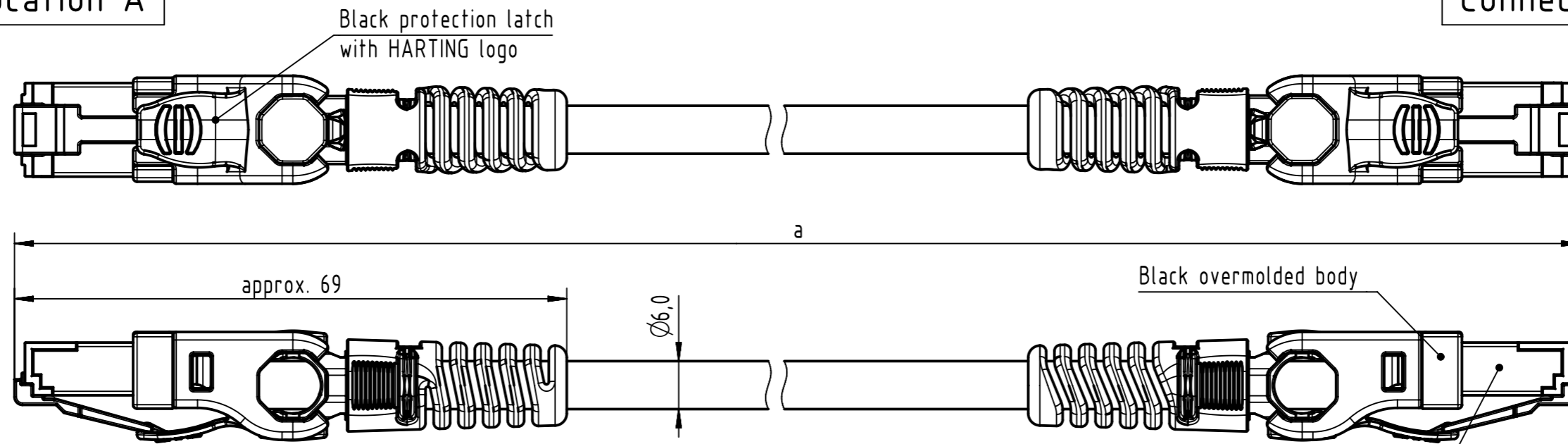


Connector Location A

Connector Location B

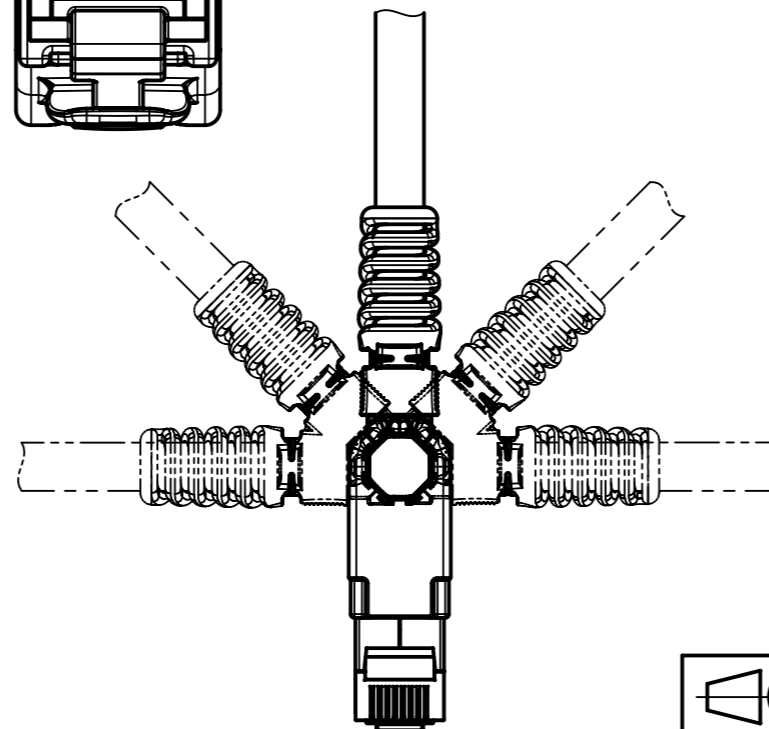
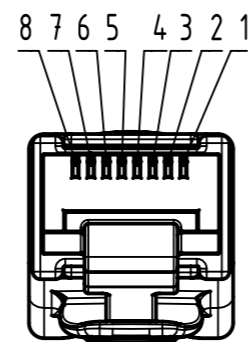
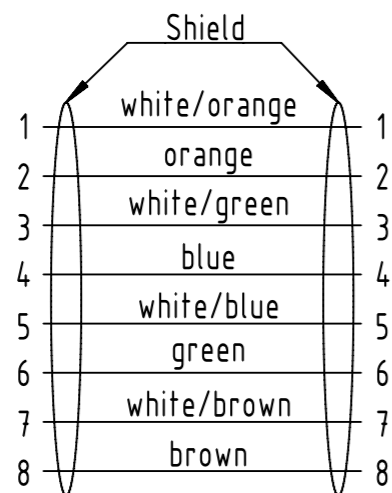
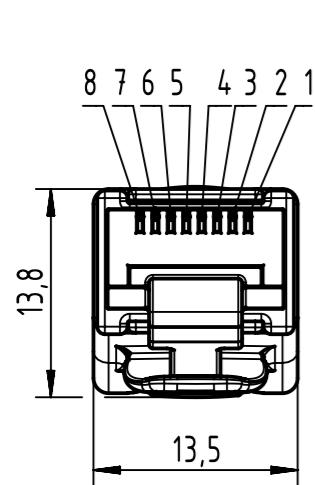


IP20 RJ45 VarioBoot Cat. 6A,
preferred direction LEFT and RIGHT

X
male

Loading Plan
acc. to TIA/EIA 568B

Y
male



length in "1m" step	45	XXX=450
	44	XXX=440
	.	.
	12	XXX=120
length in "0.1m" step	11	XXX=110
	10	XXX=100
	9.9	XXX=099
	9.8	XXX=098
	.	.
	0.5	XXX=005
	0.4	XXX=004
	0.3	XXX=003
	0.2	XXX=002
Step	a [m]	XXX

6.0 to 45	±1%
0.6 to 5.9	+0.04
0.2 to 0.5	+0.02
a [m]	Tolerance

Cat. 7 FRNC Ethernet Cable, AWG 26/7, S/FTP, yellow	09488585587XXX
Type of cable	Part no.

Temperature range:
- Fixed installation: -20°C ... +60°C
- Dynamic installation: 0°C ... +50°C

NOTE:
- Direction of the cable outlet can be changed up to 20°
- Mating face RJ45 acc. to IEC 60603-7 for both connectors

For lengths < 1.0m:
- relative positioning of the connectors to each other will be as presented in the drawing,
however with an admissible angular deviation around cable axis of ± 30°

For lengths ≥ 1.0m:
-relative positioning of the connectors to each other not obligatory

	All Dimensions in mm	Tech. Character.	Free size tol.	According to production drawing		
	All rights reserved Department HCS - RO	Created by 402990 Costa	Inspected by COSTEA Costea	Standardisation MUNTEANV Muntean	Date 2020-11-26	State Final Release
HARTING Customised Solutions D-32339 Espelkamp		Title VB RJ45 LaR - VB RJ45 LaR Cat.6A FRNC yellow			Doc-Key / ECM-Nr. 100834031/UGD/000/C 500000183442	
		Type TB	Number 09488585587XXX		Rev. C	Page 1/1